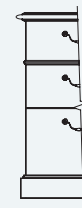






## LAFAYETTE CHARACTERISTICS

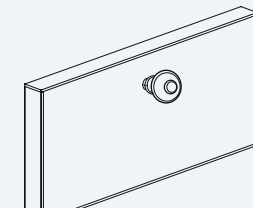
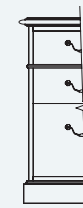
- 1-1/4" thick tops with solid bands.
- Top over pedestal construction.
- Traditional hardware standard.
- Edge detail on all four sides with mitered corners.
- Raised bead and base moulding.



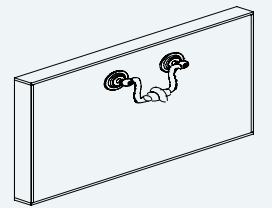
L1 Edge



L2 Edge



Traditional Knob



Traditional Pull



Round table with starburst veneer top, queen ann base



A

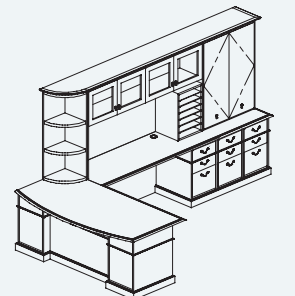
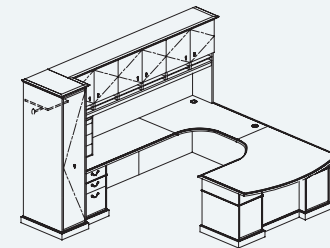
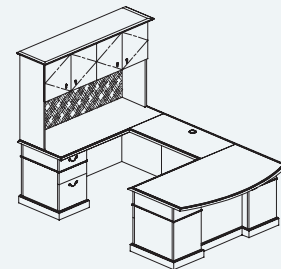
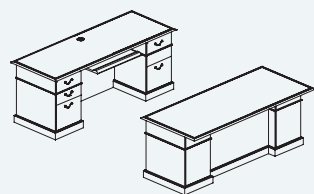


B

### LAFAYETTE U-SHAPE UNIT

A. U-Shape desk with vertical credenza.

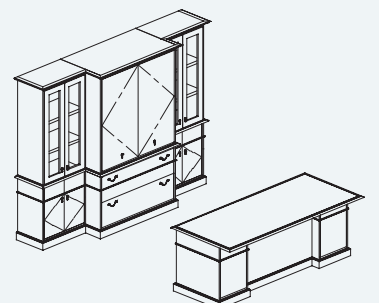
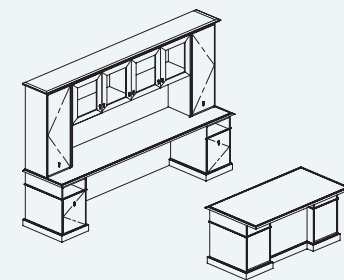
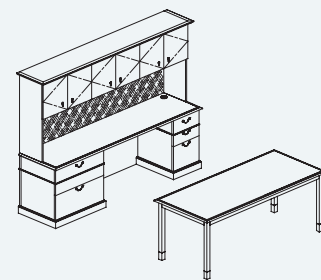
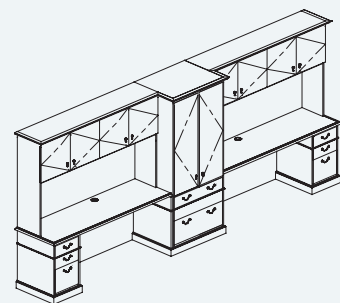
B. Credenza with stone inset.





LAFAYETTE UNIT

Double ped desk with vertical back unit.





W O O D T E C H

4611 Malat Street >>> Oakland, CA 94601 >>> tel: 510.534.4930 >>> fax: 510.534.6389 >>> [www.woodtechonline.com](http://www.woodtechonline.com)